

## Gravity Feed Bread Slicer

### Key Features:

- Batch slicing for higher volume retail and in-store bakeries
- 32" infeed chute with ProGuard and single loaf pusher.
- 16" wide infeed chute
- ProGuard feature supports industry safety guidelines.
- Single loaf pusher gently and safely guides loaf in to slicing blades
- Easily switch to On-demand, single loaf slicing with single loaf pusher
- Heavy duty casters



Above specifications subject to change without notice.  
The information contained herein is correct as of the date hereof.  
Recommendations or suggestions are made without guarantee or representation as to results.



# Gravity Feed Slicer

## Specifications:

### Motor / Electric:

1/2 H.P single phase, 60 HZ, 115 VAC,  
7 AMPS

### Capacities:

Loaves up to 16" L and 2 1/4" to 5" H

### Finish:

Stainless steel contact components and  
food-safe materials throughout

### Standard Slice Spacing:

3/8" (10mm), 7/16" (11mm)

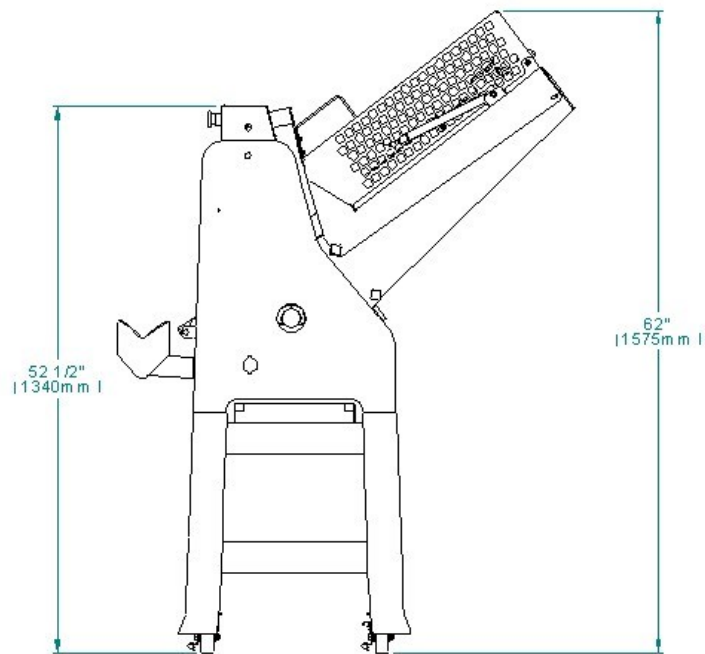
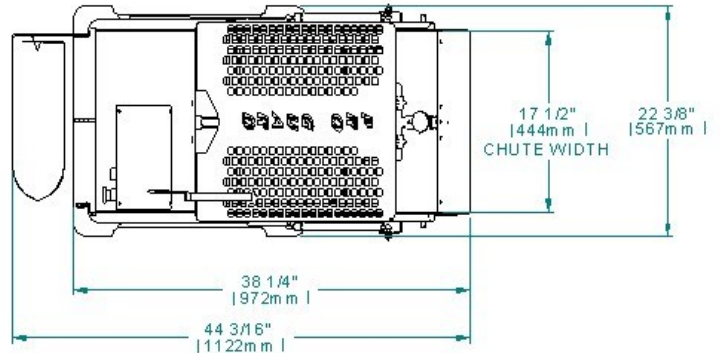
1/2" (13mm), 5/8" (16mm)

**Ship Weight** 320 lbs. (145kg)

**Height:** 62"

**Width:** 22.75"

**Depth:** 44.25"



Above specifications subject to change without notice.  
The information contained herein is correct as of the  
date hereof.  
Recommendations or suggestions are made without  
guarantee or representation as to results.



Manufactured in the U.S.A.