

**GRIDDLES & BROILERS****VULCAN****VSP SERIES  
STOCKPOT RANGES**

Model VSP100

- VSP100** One section, 18" wide x 24.5" deep
- VSP200F** Two sections, 18" wide x 49" deep

**STANDARD FEATURES**

- Stainless steel front and sides.
- Heavy cast iron top grate(s).
- Two concentric 55,000 BTU/hr. ring-type burners per 18" section; 110,000 BTU/hr. input per section.
- Standing pilot ignition system.
- Two infinite heat control valves per section.
- Heat shield to protect control valves.
- 3/4" rear gas connection and gas pressure regulator.
- One year limited parts and labor warranty.

**SPECIFICATIONS****Exterior Dimensions:**

18" wide x \_\_\_\_\_" deep x 22½" to 24" working height on adjustable legs

CSA design certified. NSF listed.

**SPECIFY TYPE OF GAS WHEN ORDERING.**  
**SPECIFY ALTITUDE WHEN ABOVE 3,999 FT.**

**VULCAN**

a division of ITW Food Equipment Group LLC

P.O. Box 696 ■ Louisville, KY 40201 ■ Toll-free: 1-800-814-2028 ■ Local: 502-778-2791 ■ Quote & Order Fax: 1-800-444-0602



VSP SERIES  
STOCKPOT RANGES

INSTALLATION REQUIREMENTS:

1. A gas pressure regulator sized for this unit was included.  
Natural Gas 5" W.C.  
Propane Gas 10" W.C.
2. Gas line connecting to appliance must be 3/4" diameter or larger.  
If flexible connectors are used, the inside diameter must be the same as the 3/4" pipe.
3. An adequate ventilation system is required for commercial cooking equipment. Information may be obtained by writing to the National Fire Protection Association, 1 Batterymarch Park, Quincy, MA 02169, www.NFPA.org. When writing refer to NFPA No. 96.
4. These units are manufactured for installation in accordance with National Fuel Gas Code, ANSI-Z223.1/NFPA #54 (latest edition). Copies may be obtained from The American Gas Association,

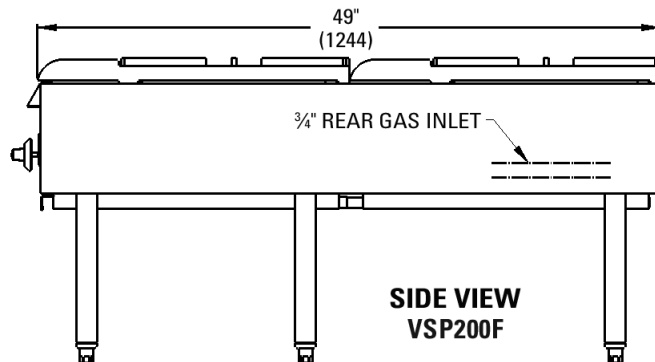
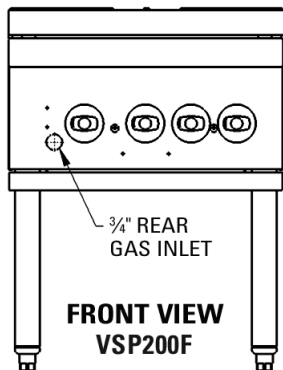
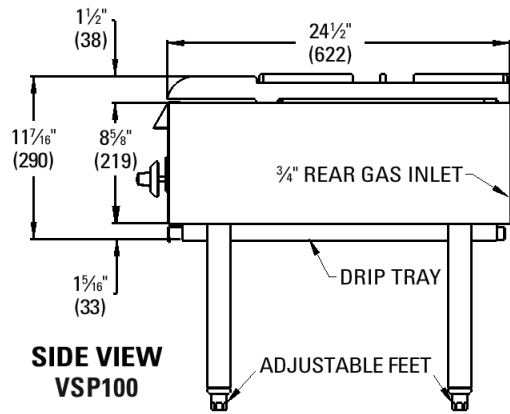
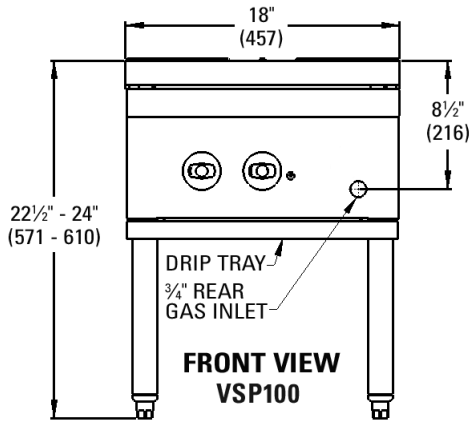
Accredited Standards Committee Z223 @ 400N. Capital St. NW, Washington, DC 20001, or the Secretary Standards Council, NFPA, 1 Batterymarch Park, Quincy, MA 02169-7471.

**NOTE: In the Commonwealth of Massachusetts**

All gas appliances vented through a ventilation hood or exhaust system equipped with a damper or with a power means of exhaust shall comply with 248 CMR.

5. Clearances:
 

	Combustible	Non-Combustible
Rear	24"	4"
Sides	18"	0"
6. This appliance is manufactured for commercial installation only and is not intended for home use.



MODEL	TOTAL BTU/HR.	WIDTH	DEPTH	HEIGHT	APPROX. SHIP WT. (LB/KG)
VSP100	110,000	18"	24 1/2"	22 1/2" to 24"	145/66
VSP200F	220,000	18"	49"	22 1/2" to 24"	290/131



a division of ITW Food Equipment Group LLC

P.O. Box 696 ■ Louisville, KY 40201 ■ Toll-free: 1-800-814-2028 ■ Local: 502-778-2791 ■ Quote & Order Fax: 1-800-444-0602

**NOTE:** In line with its policy to continually improve its products, Vulcan reserves the right to change materials and specifications without notice.