



GLO-RAY® PIZZA WARMERS

Models GRPWS-2424, -3624, -4824 GRPWS-2418D, -3618D, -4818D, -2424D, -3624D, -4824D
GRPWS-2418T, -3618T, -4818T, -2424T, -3624T, -4824T GRPWS-2418Q, -3618Q, -4818Q, -2424Q, -3624Q, -4824Q

Hatco has the perfect food warmer for holding boxed or bagged pizzas with the Glo-Ray® Pizza Warmer.

FLEXIBILITY

The Hatco Glo-Ray GRPWS series allows the operator to keep pizza hot and fresh for convenient self-serve or quick-serve areas. These warmers are available with base heat only in single, dual, triple, and quadruple shelf models. Choose any combination of three widths and two depths.

All models are constructed of aluminum and stainless steel with tempered glass side panels; and feature slanted, heated, hardcoated aluminum shelves with stainless steel box stops for easy pass-through holding, sign holders, and 4" (102 mm) legs.

Each heat zone has a separate On-Off switch and temperature control to accommodate a variety of pizzas. Bright annealed lamp reflectors with incandescent display lights illuminate the holding areas and emphasize product.

QUALITY

The following features assure the finest performance for years to come:

- All models have thermostatically- controlled base heat to maintain optimum serving temperatures.
- A separate On-Off switch and temperature control for each heat zone allows for the holding of a variety of pizzas.
- Box stop includes sign holder as a standard feature (excluding base only unit) (signs not included).
- Coated shatter-resistant incandescent lights enhance product display while safe-guarding food products from bulb breakage.

Equipment
On Signage Program
Hatcographics.com



Model GRPWS-2424
with base heat only



Model GRPWS-2418D
(signs not included)



Model GRPWS-2418Q
with base heat only
(signs not included)



ANSI/NSF 4

BLANKET ELEMENTS GUARANTEED AGAINST
BURNOUT AND BREAKAGE FOR ONE YEAR.

HATCO CORPORATION P.O. Box 340500 Milwaukee, WI 53234-0500 U.S.A.
(800) 558-0607 • (414) 671-6350 • Fax (800) 543-7521 • Int'l. Fax (414) 671-3976
www.hatcocorp.com • E-mail: equipsales@hatcocorp.com

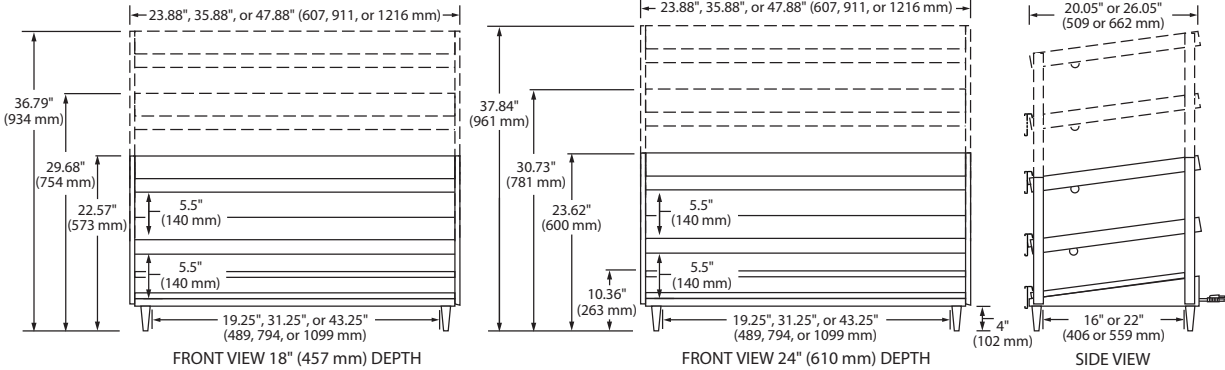
Form No. GRPWS Spec Sheet

Printed in U.S.A.
September 2012



GLO-RAY® PIZZA WARMERS

Models GRPWS-2424, -3624, -4824 GRPWS-2418D, -3618D, -4818D, -2424D, -3624D, -4824D
GRPWS-2418T, -3618T, -4818T, -2424T, -3624T, -4824T GRPWS-2418Q, -3618Q, -4818Q, -2424Q, -3624Q, -4824Q



SPECIFICATIONS

Base Only Models – 24.125" (614 mm) Depth & 10.36" (263 mm) Height

Model	Width	Watts	Amps*	Shipping Weight
GRPWS-2424	22.85" (580 mm)	480	4	40 lbs. (18 kg)
GRPWS-3624	34.85" (885 mm)	720	6	50 lbs. (23 kg)
GRPWS-4824	46.85" (1190 mm)	955	8	60 lbs. (28 kg)

Dual Shelf Models – 20.05" (509 mm) Depth & 22.57" (573 mm) Height

Model	Width	Watts	Amps*	Shipping Weight
GRPWS-2418D	23.88" (607 mm)	960	8	76 lbs. (35 kg)
GRPWS-3618D	35.88" (911 mm)	1440	12	91 lbs. (42 kg)
GRPWS-4818D	47.88" (1216 mm)	1920	16	136 lbs. (62 kg)

Dual Shelf Models – 26.05" (662 mm) Depth & 23.62" (600 mm) Height

Model	Width	Watts	Amps*	Shipping Weight
GRPWS-2424D	23.88" (607 mm)	1200	10	113 lbs. (52 kg)
GRPWS-3624D	35.88" (911 mm)	1800	15	136 lbs. (62 kg)
GRPWS-4824D*	47.88" (1216 mm)	2390	10	177 lbs. (81 kg)

Triple Shelf Models – 20.05" (509 mm) Depth & 29.68" (754 mm) Height

Model	Width	Watts	Amps*	Shipping Weight
GRPWS-2418T	23.88" (607 mm)	1440	12	98 lbs. (45 kg)
GRPWS-3618T*	35.88" (911 mm)	2160	12	136 lbs. (62 kg)
GRPWS-4818T*	47.88" (1216 mm)	2880	16	175 lbs. (80 kg)

Triple Shelf Models – 26.05" (662 mm) Depth & 30.73" (781 mm) Height

Model	Width	Watts	Amps*	Shipping Weight
GRPWS-2424T	23.88" (607 mm)	1800	15	116 lbs. (53 kg)
GRPWS-3624T*	35.88" (911 mm)	2700	15	150 lbs. (68 kg)
GRPWS-4824T*	47.88" (1216 mm)	3585	20	227 lbs. (103 kg)

Quadruple Shelf Models – 20.05" (509 mm) Depth & 36.79" (934 mm) Height

Model	Width	Watts	Amps*	Shipping Weight
GRPWS-2418Q	23.88" (607 mm)	1920	16	119 lbs. (54 kg)
GRPWS-3618Q*	35.88" (911 mm)	2880	12	157 lbs. (72 kg)
GRPWS-4818Q*	47.88" (1216 mm)	3840	16	214 lbs. (98 kg)

Quadruple Shelf Models – 26.05" (662 mm) Depth & 37.84" (961 mm) Height

Model	Width	Watts	Amps*	Shipping Weight
GRPWS-2424Q*	23.88" (607 mm)	2400	10	151 lbs. (69 kg)
GRPWS-3624Q*	35.88" (911mm)	3600	15	214 lbs. (98 kg)
GRPWS-4824Q*	47.88" (1216 mm)	4780	20	277 lbs. (126 kg)

* Based on 120 volts, except where only available in 120/208-240V. † Also available in 120/208-240V.

▼ Only available in 120V, single phase. * Only available in 120/208-240V

○ Canadian models only available in 120/208-240V, NEMA L14-30P.

DIMENSIONS

Base Only Models –

22.85", 34.85", or 46.85"W x 24.19"D x 10.36"H w/legs
(580, 885, or 1190 x 614 x 263 mm).

Dual Shelf Models –

23.88", 35.88", or 47.88"W x 20.05" or 26.05"D x 22.57" or 23.62"H w/legs
(607, 911, or 1216 x 509 or 662 x 573 or 600 mm).

Triple Shelf Models –

23.88", 35.88", or 47.88"W x 20.05" or 26.05"D x 29.68" or 30.73"H w/legs
(607, 911, or 1216 x 509 or 662 x 754 or 781 mm).

Quadruple Shelf Models –

23.88", 35.88", or 47.88"W x 20.05" or 26.05"D x 36.79" or 37.84"H w/legs
(607, 911, or 1216 x 509 or 662 x 934 or 961 mm).

VOLTAGE

120V single phase with NEMA 5-15P: GRPWS-2424, -3624, -4824, -2418D, -3618D, -2424D, -2418T

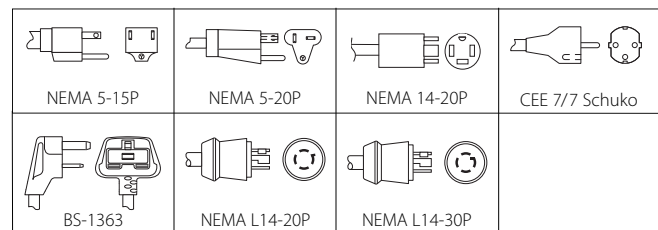
120V single phase with NEMA 5-20P: GRPWS-4818D (also available in 120/208-240V with NEMA-L14-20P), -3624D, 2424T

120V single phase with NEMA L14-20P: GRPWS-4824D, -3618T, -4818T, -3624T, -4824T (Canadian requires NEMA-L14-30P), -2418Q, -3618Q, -4818Q, -2424Q, -3624Q, -4824Q (Canadian requires NNEMA-L14-30P)

CORD LOCATION

Control side at right base side.

PLUG CONFIGURATIONS



OPTIONS (NOT FOR RETROFIT)

- Halogen Bulbs in lieu of Standard Display Lights
- NEMA 14-20P in lieu of NEMA L14-20P

- Designer Colors: Warm Red, Black, Gray Granite, White Granite, Navy Blue, Hunter Green, Antique Copper - non-standard colors are non-returnable

PRODUCT SPECS

Pizza Warmer

The Pizza Warmer shall be a Glo-Ray® Model ... rated at ... volts and ... watts, as manufactured by the Hatco Corporation, Milwaukee, WI 53234 U.S.A.

With 24/7 parts and service assistance (U.S. and Canada only), the warmer

shall have ... heated shelves, tempered glass sides, hardcoated shelves with box stops and sign holders (excluding Base Models), incandescent display lights, and 4" (102 mm) legs. It shall include a temperature control and on-off switch for each heat zone. A factory-attached 6' (1829 mm) cord with plug.

HATCO CORPORATION P.O. Box 340500 Milwaukee, WI 53234-0500 U.S.A. • (800) 558-0607 • (414) 671-6350
Fax (800) 543-7521 • Int'l. Fax (414) 671-3976 • www.hatcocorp.com • E-mail: equipsales@hatcocorp.com